

OUT OF WATER AUTOMATIC SAFETY COVER

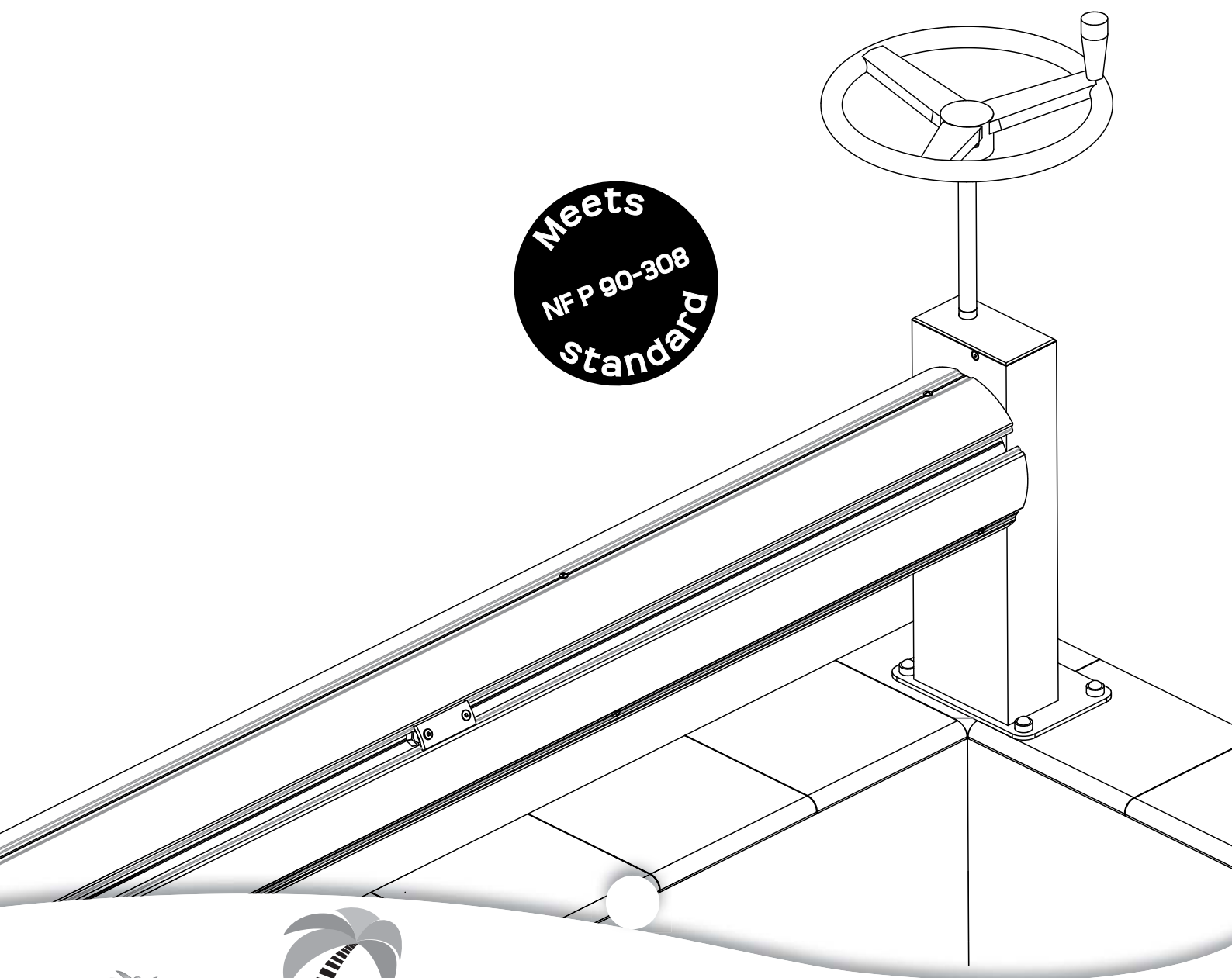
# MANU

## Installation Guide

Please read carefully and keep available for later use

Version 08/2011

Meets  
NFP 90-308  
Standard



# FOREWORD

This instruction manual is intended for the person who installs and commissions an ABRIBLUE safety cover.

This manual must then be given to the pool owner along with the instruction and safety manual so that it is available for later use.

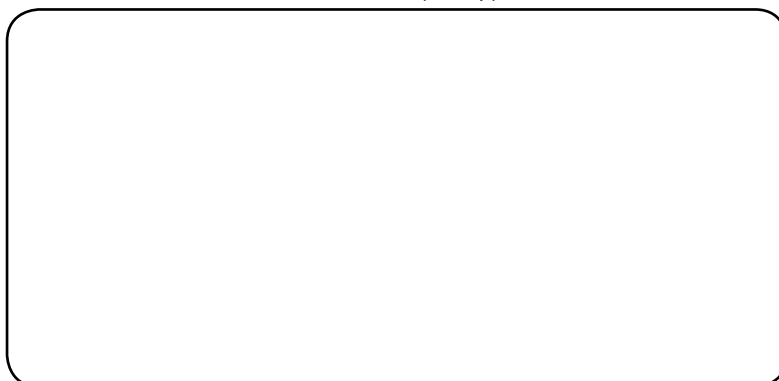
The advice given in this leaflet is taken from the experience of AS POOL (ABRIBLUE): with over 45,000 automatic covers since 1995. The advice will allow the user to make the best use of this product which should give complete satisfaction to its users.

Compliant with the highest requirements, our safety cover was designed to prevent children younger than 5 years old from accessing the pool when it is unrolled and locked.

**The floating safety cover is not a substitute for your common sense or your responsibilities. It does not replace the vigilance of a responsible adult, which remains the essential factor in the protection of young children.**

# USEFUL ADDRESS

Your retailer (stamp):



# SOMMAIRE

<b>1. Pool preparation</b>	<b>4</b>
1.1 Building work	4
1.2 Squaring checks	4
<b>2. Delivery and Reception</b>	<b>5</b>
2.1 Delivery	5
2.2 Reception	5
2.3 Necessary tools	5
2.4 Items in the container	5
<b>3. Fitting the roller</b>	<b>6</b>
3.1 Fitting the shaft onto the posts	6
3.2 Placing the roller on the pool	6
3.3 Fixing the posts	7
3.4 Cutting the pool sides	8
<b>4. Assembling the blades</b>	<b>8</b>
4.1 Placing the blades on the water	8
4.2 Assembling the blades	8
4.3 Adjustment of the number of blades	9
4.4 Controlling the fit	9
4.5 Placing the stair blades	9
4.6 Blade orientation ski	10
4.7 Fixing the pool cover	10
<b>5. Maintenance in the event of a malfunction</b>	<b>11</b>
<b>6. Checks</b>	<b>12</b>
<b>7. Reception of the cover by the end user</b>	<b>12</b>

# 1. Pool preparation

## 1.1 Building work

### 1.1.1 Concrete belt

Fig. 1

Plan for a concrete belt using a 350 Kg cement per  $m^3$  concrete mix with a size of w 25 cm x h 40 cm x len 100 cm using at least  $0.10 m^3$  to stabilise the fixture of the roller.

### 1.1.2 Overflow

Fig. 2

Plan to control the water level at 12 cm below the edge using a  $\varnothing 50$  mm overflow which is independent of the skimmers and an automatic fill.

### 1.1.3 Skimmer

When possible, plan to place the skimmers on the pool widths and not on the lengths in order to facilitate the movement of the cover.

## 1.2 Squaring checks

Fig. 3

1.2.1 In order to correctly place your roller perpendicular to the pool lengths: measure the diagonals.

1.2.2 Make a mark (1) on the pool lining at the level of the edge opposite the cable exit.

1.2.3 Measure a precise length "A" of 1 m less than the length of the pool and make a mark (2), at the extremity of A on the pool liner.

1.2.4 On the opposite length make a mark (3) opposite mark (1).

1.2.5 Carry over the "A" measurement from (3) in order to place mark (4).

1.2.6 Measure the distance "B1" between (1) and (4).

1.2.7 Measure the distance "B2" between (2) and (3).

1.2.8 If B1 and B2 are equal continue with the next step, otherwise correct the position of marks (3) and (4) and start the operation again until  $B1 = B2$ .

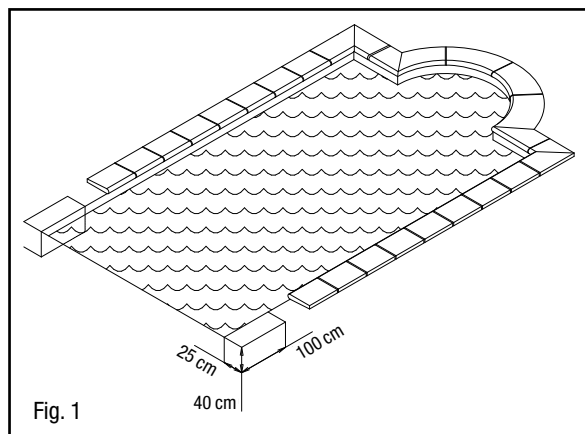


Fig. 1

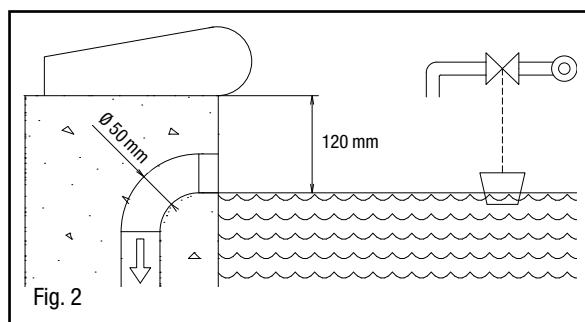


Fig. 2

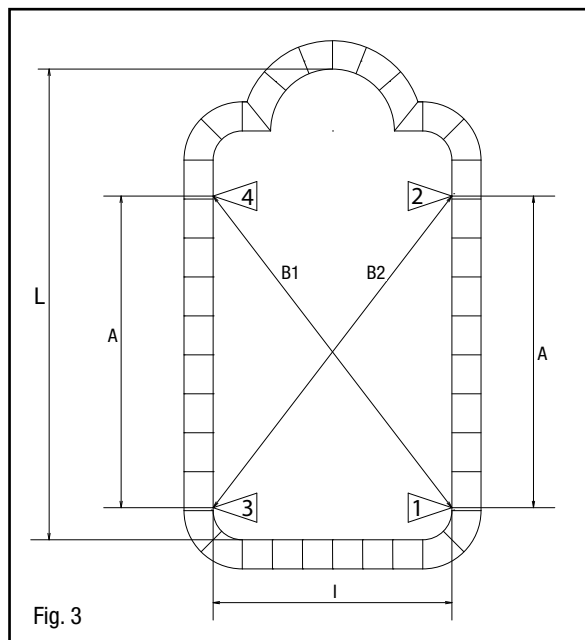


Fig. 3

## 2. Delivery and Reception

### 2.1 Delivery

Fig. 4

- 2.1.1 Plan on the presence of 2 to 6 persons, or use a handling device to handle the cover. The cover is delivered in a non recoverable wooden container measuring at least 40 cm more than the width of the pool. It is heavy and fragile.
- 2.1.2 For a 4 x 8 pool, the container weighs 290 Kg and measures 4.6 x 0.6 x 0.8(h).
- 2.1.3 For a 5 x 10 pool, the container weighs 390 Kg and measures 5.6 x 0.6 x 0.8(h).

### 2.2 Reception

- 2.2.1 Open the container in the presence of the delivery staff and check the condition of the goods and their compliance. Keep the original packing.
- 2.2.2 If there is damage or if there are missing parts, write down your reserves on the transport documents (e.g.: container open on delivery). The words "on reserve of unpacking" alone are void. Send a registered letter (with acknowledgement of receipt) to the transporter within 2 days. This letter must give an exact description of the damage. Send a copy of the letter to AS POOL for information.
- 2.2.3 Store the parts in the container which should not be left in full sunlight, but should be placed in a cool place if the assembly is not carried out on the same day.
- 2.2.4 Make the inventory compared to the order.
- 2.2.5 Read the instructions completely before starting the assembly.
- 2.2.6 The installation requires 2 persons for 4 hours.

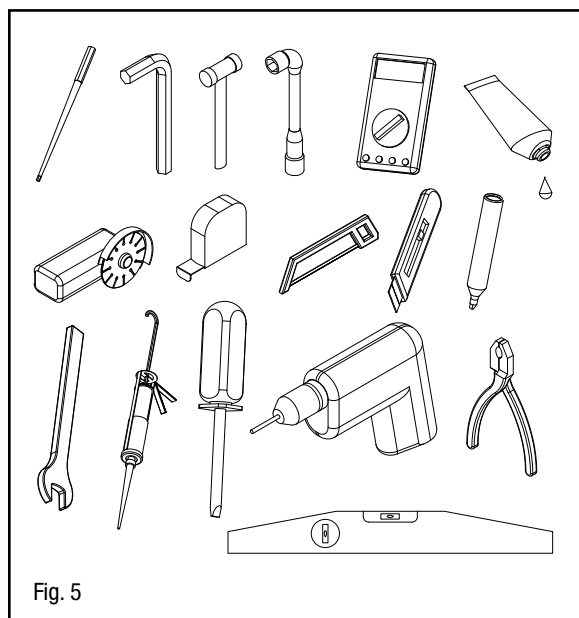
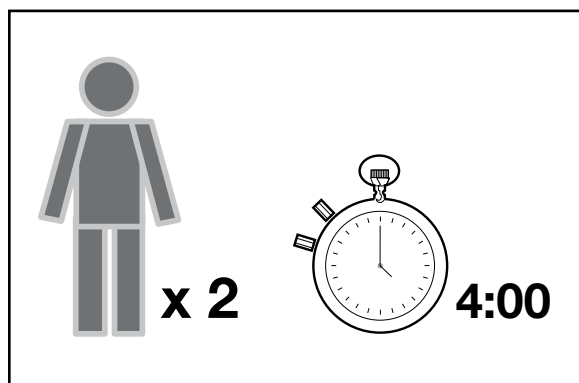
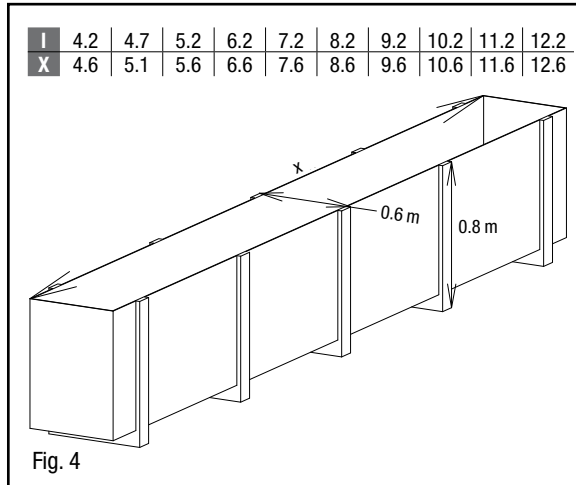
### 2.3 Necessary tools

Fig. 5

Have the equipment needed to assemble available: perforator, a set of flat spanners, socket wrenches and hex keys, a set of screwdrivers, a mallet, pliers, a level, a glue gun, a cutter, a multimeter, a tape measure and a grinder.

### 2.4 Items in the container

- A blade cover
- A roller shaft
- Two posts to support the axis
- A fixture kit
- An Installation Guide



## 3. Fitting the roller

### 3.1 Fitting the shaft onto the posts

#### 3.1.1 Fig. 6

Lubricate the contact parts using a silicone-based grease.

#### 3.1.2 Insert the drive shaft of the axis into the geared post.

#### 3.1.3 Fit the blocking washer.

#### 3.1.4 Fig. 7

Insert the gear shaft of the axis into the housing, fit the pinning screw and bolt.

#### 3.1.5 Fig. 8

Make sure that the posts are placed against the axis.

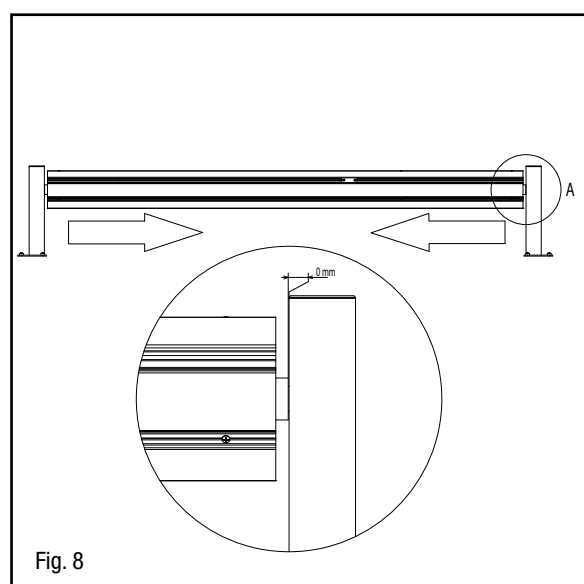
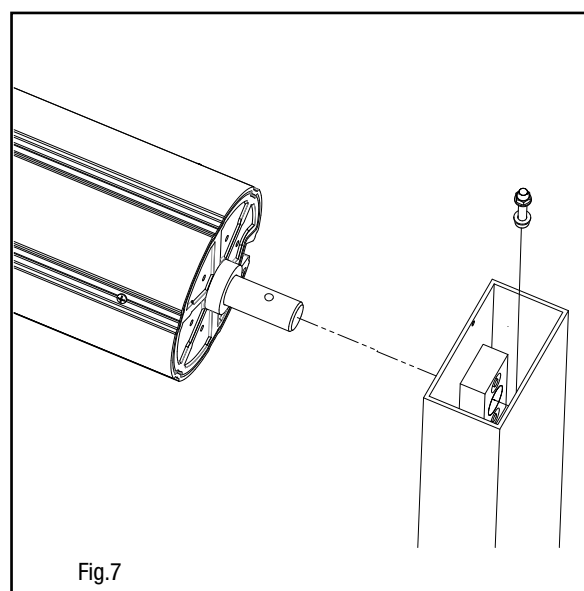
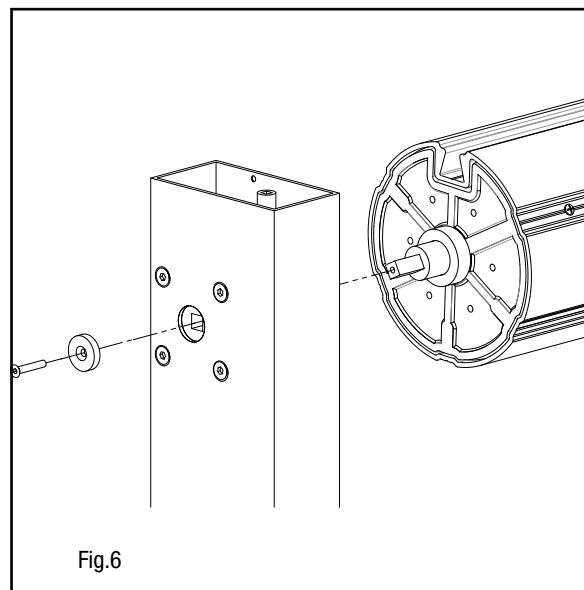
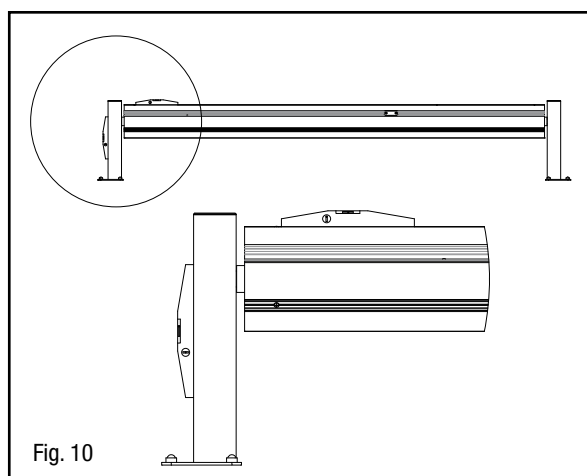
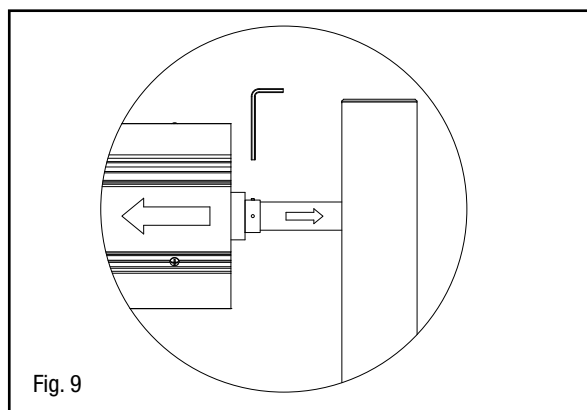
### 3.2 Placing the roller on the pool

#### 3.2.1 Fig. 9

If the posts cannot be placed tightly, install a blocking ring which should be ordered from us.

#### 3.2.2 Fig. 10

Check that the axis and the posts are level (horizontally and squared) and that the rolling tube is centred on the line formed by 1 and 3 (see Fig. 3).



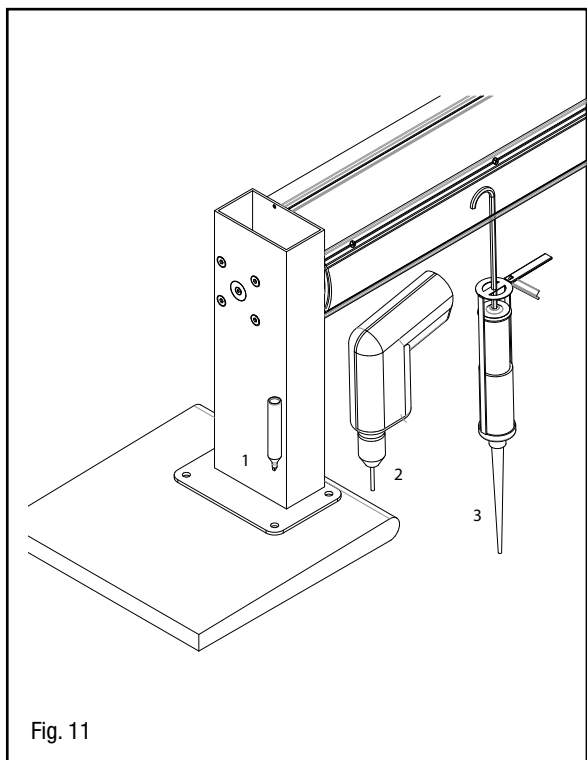


Fig. 11

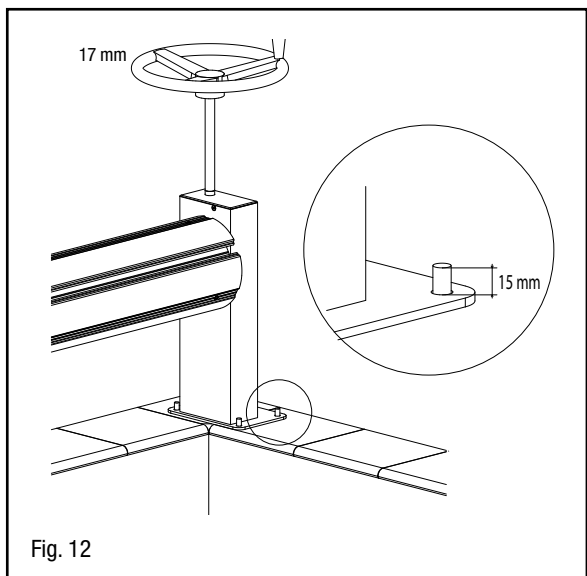


Fig. 12

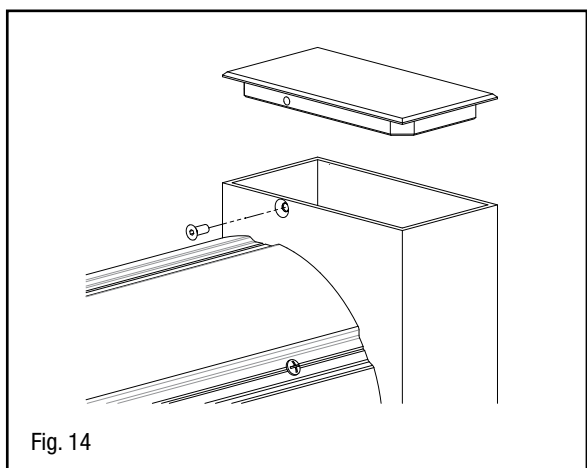


Fig. 14

### 3.3 Fixing the posts

Fig. 11

- 3.3.1 Mark the position of the 8 fixture points on the posts (4 per post).
- 3.3.2 Push the roller aside and drill holes in the rims with a diameter of 10.5 mm.
- 3.3.3 Fill the holes with the chemical seal according to the instructions on the cartridge.

Fig. 12

- 3.3.4 Prepare the threaded rods so that they protrude 15 mm above the post plate.
- 3.3.5 Let the seal dry as indicated on the cartridge instructions (depending on the surrounding temperature).

Fig. 13

- 3.3.6 Place the washers, tighten the bolts and place the bolt caches.
- 3.3.7 Four extra lower bolts per post are supplied in order to allow to level horizontally under the plates.

Fig. 14

- 3.3.8 Fit the covers using the screws.
- 3.3.9 Fit the wheel on the gears.
- 3.3.10 Info: Always handle the wheel using both hands.

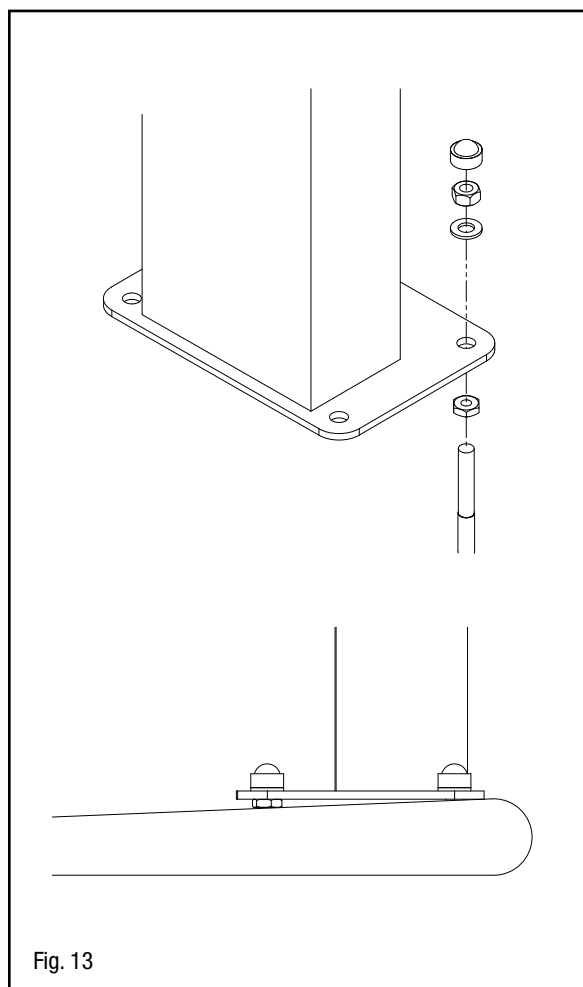


Fig. 13

### 3.4 Cutting the pool sides

Fig. 15 and 16

Cut the ends of the pool sides (if they overhang the pool) for a length "x" depending on the length of the pool "L" in order to allow the blades to move from the axis to the pool.

## 4. Assembling the blades

Special care needs to be taken when handling the blades. Shearing can cause irreparable damage to the caps. This is why they must not be assembled by threading

### 4.1 Placing the blades on the water

Fig. 17

- 4.1.1 Transfer the blades directly from the container to the pool water avoiding all mechanical contacts.
- 4.1.2 Place the packets of blades directly onto the water, curved side towards the sky and the double male hook on the farthest side from the roller. Place the specific groups of blades (the group fitted with straps to hook to the axis on the roller side, the group fitted with the other anti-lift mechanisms on the side furthest from the roller, the blades for the stairs).

### 4.2 Assembling the blades

Fig. 18

- 4.2.1 Assemble the blades by clipping them together by inserting the double male hook into the female part of the preceding blade and then by pushing the blades up into a "V" shape towards the sky.
- 4.2.2 Make oscillating movements in order to cause the fitting along the whole length of the blade.

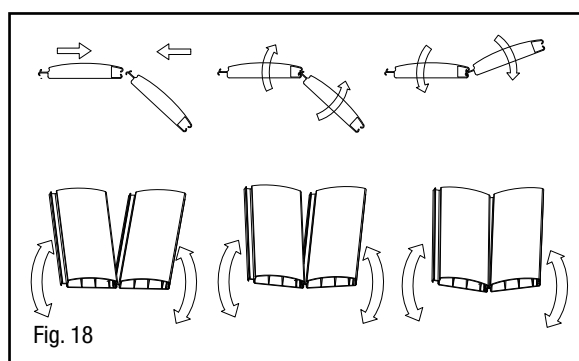
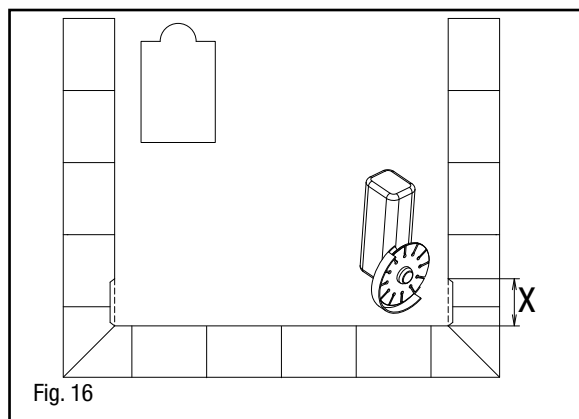
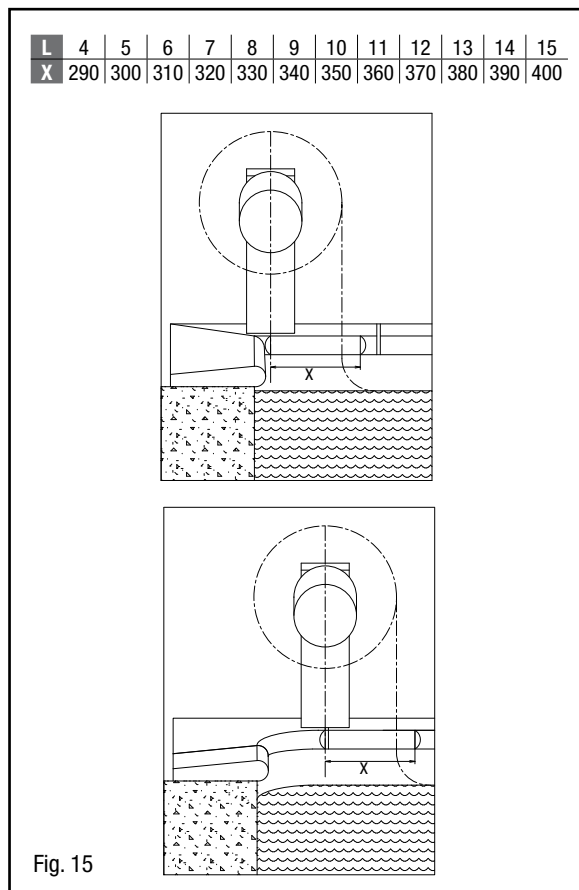
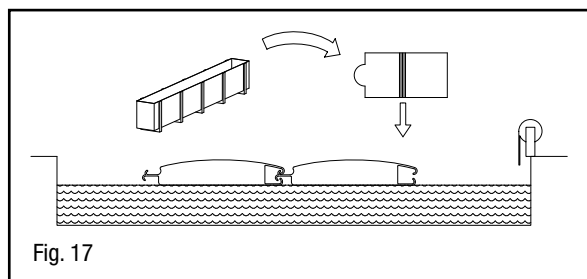
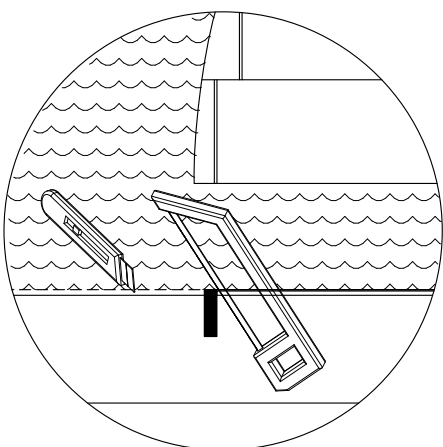
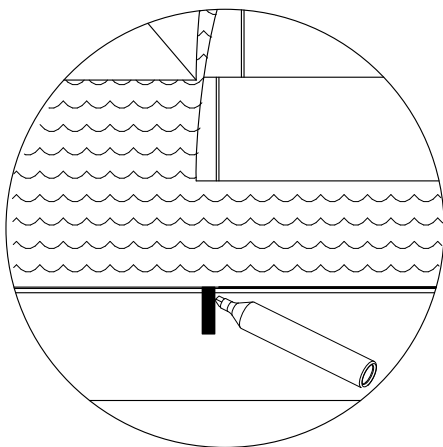
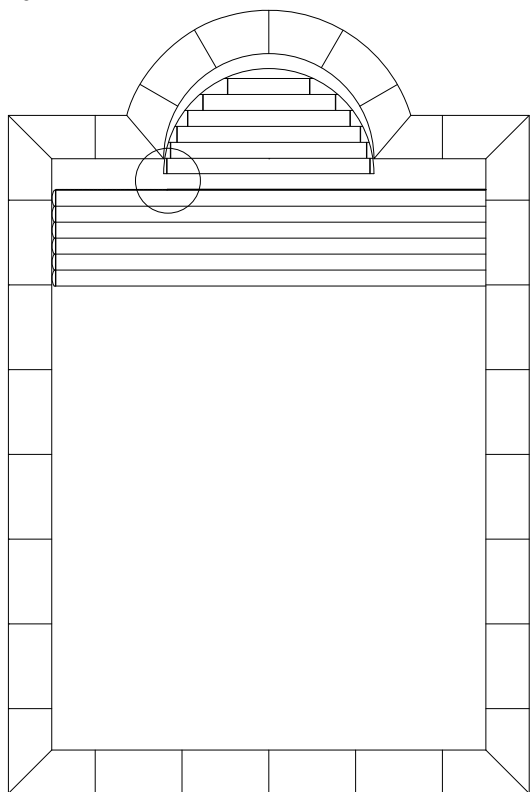




Fig. 21



### 4.3 Adjustment of the number of blades

Fig. 19

Only keep the blades needed to cover the entire surface of the water when joined in the pool, the eventual extra blades should be stored away.

### 4.4 Controlling the fit

Fig. 20

Place the cover against a length of the pool. Check that there is a gap greater than 2.5 cm between the ends of the wings and the sides of the pool (needed for operation) and less than 7 cm (otherwise the cover is no longer compliant). 10, 20, 25 and 30 mm wings are available on order.

### 4.5 Placing the stair blades

Fig. 21

Centre the stair cover in its housing and assemble it to the rest of the cover by making a notch in the double male hook on either side of the stairs in order to leave the space for the cap on the base stair blade.

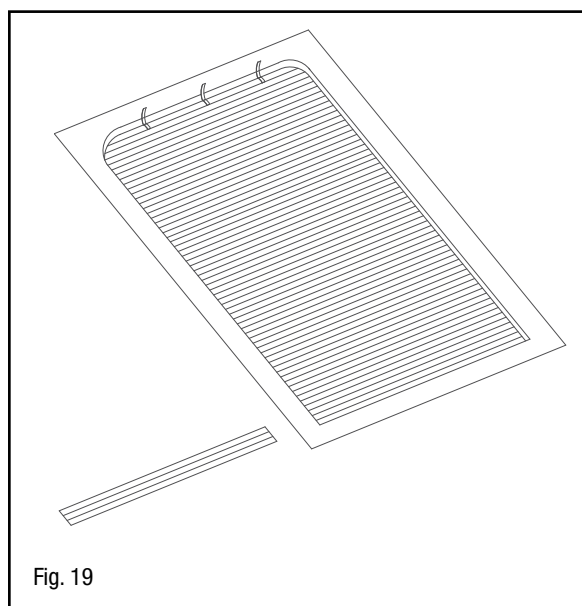


Fig. 19

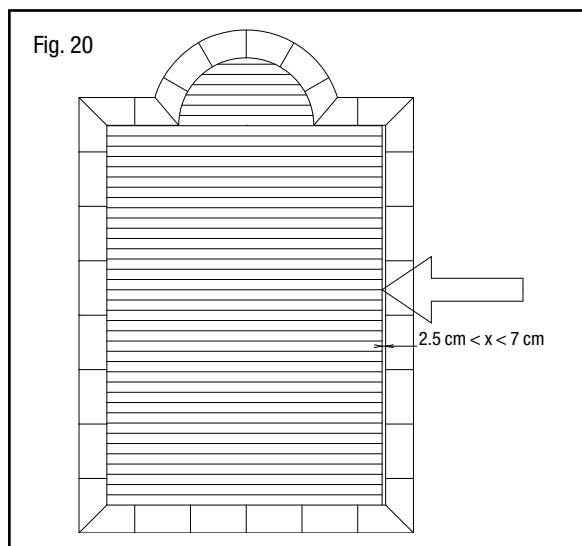


Fig. 20

## 4.6 Blade orientation ski

Fig. 22

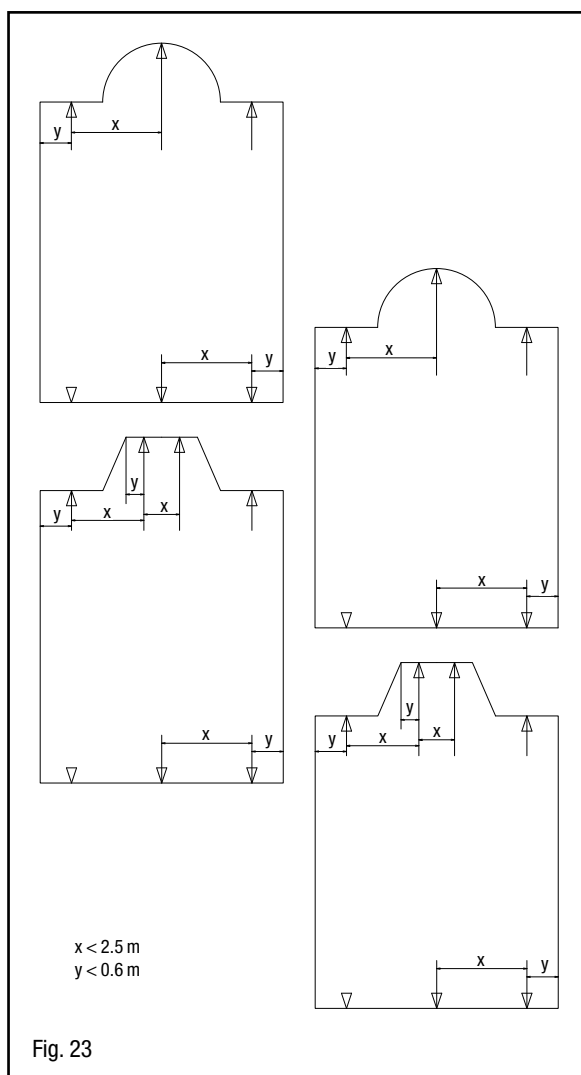
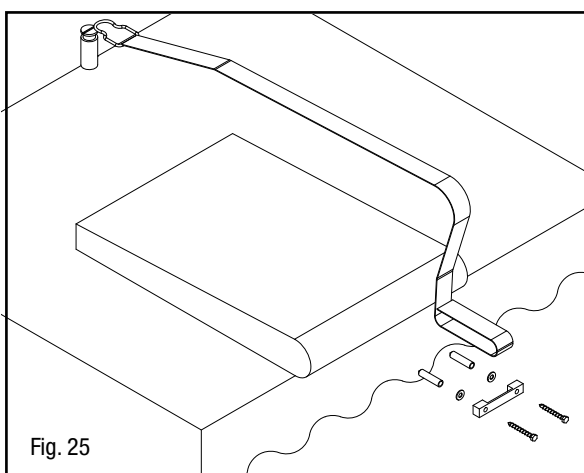
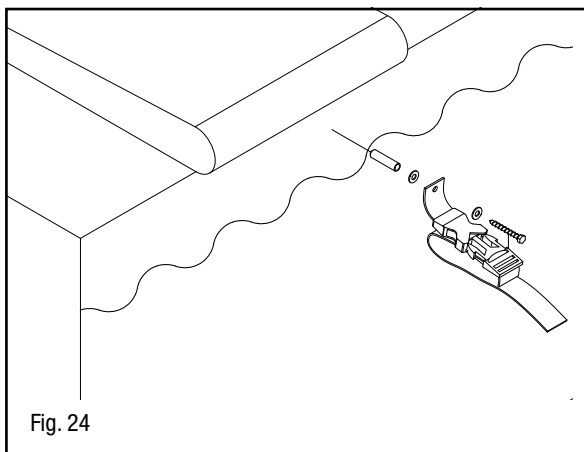
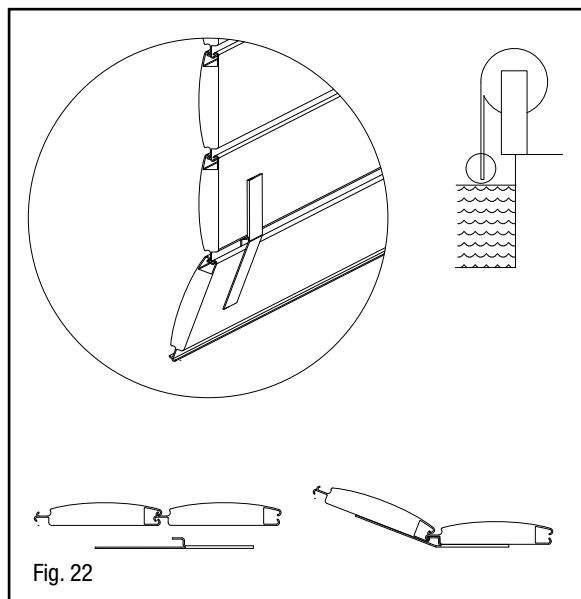
So that the blades unroll towards the opposite side of the pool, place the orientation ski on the lower face of the cover between the blade the furthest from the roller and the next one after having flattened it. Reshape it to its curved shape in order to raise the first blade which drops down into the water in order to ease the unrolling and avoid that the cover goes towards the back.

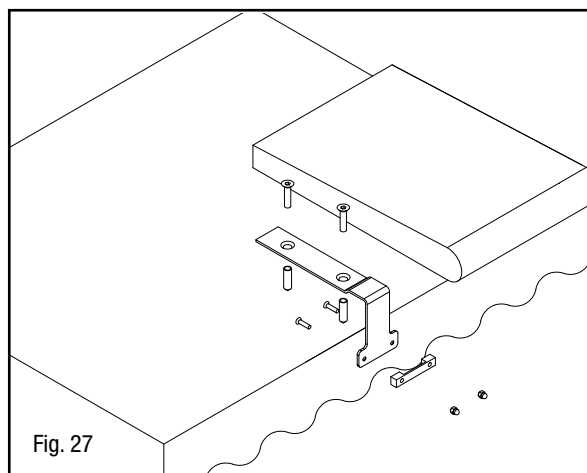
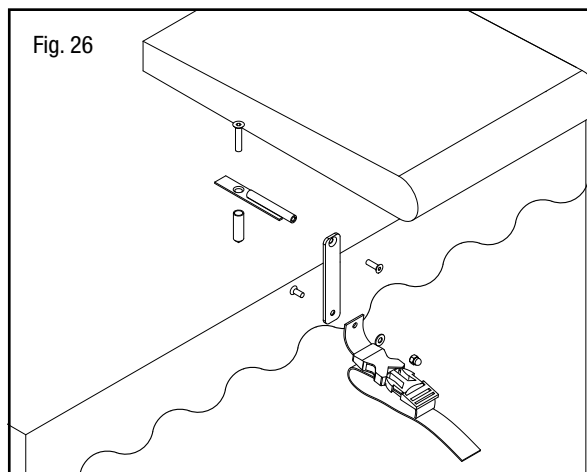
## 4.7 Fixing the pool cover

Fig. 23

### 4.7.1 Fig 24 & 25

Fix the female loops on the sides at 40 mm above the water line, opposite the anti-lifting mechanisms preinstalled on the blades.





#### 4.7.2 Fig. 26 & 27

Option for fixture to the pool edge, fix the bracket support into the concrete belt, under the pool side, applying the bracket against the pool side.

#### 4.7.3 Make a clipping and unclipping test on all the mechanisms which remain unlocked in order to carry out the run stop adjustments.

## 5. Maintenance in the event of a malfunction

### Greasing the gears

The following list has been drawn up in order to help diagnose and correct malfunctions that may occur during installation. This guide is exclusively for the professional authorised to install the cover in order to maintain the validity of the warranty. If, after having followed these instructions, the cause of the malfunction has not been found, the professional must contact the cover retailer or manufacturer.

- 5.7.1 Remove the gears from the post.
- 5.7.2 Open the gear mechanism.
- 5.7.3 Clean each part, remove all the used grease.
- 5.7.4 Grease the contact parts again.
- 5.7.5 Remount the gear mechanism and reinstall it in the post.
- 5.7.6 For correct operation, this maintenance should be carried out once per year.

## 6. Checks

Check the following points relating to standard NF P 90-308 and check that the cover operates correctly:

- The cover rolls and unrolls correctly.
- The safety mechanisms are easily handled for the recommended water levels and are sufficient (number and position). Check that they are locked on completion of the installation
- The gaps along the length between the cover blades and the side of the pool are less than 7 cm and the cover does not rub "abnormally" on the sides.
- The site is cleaned after installation of the cover and the packaging and waste is removed.

## 7. Reception of the cover by the end user

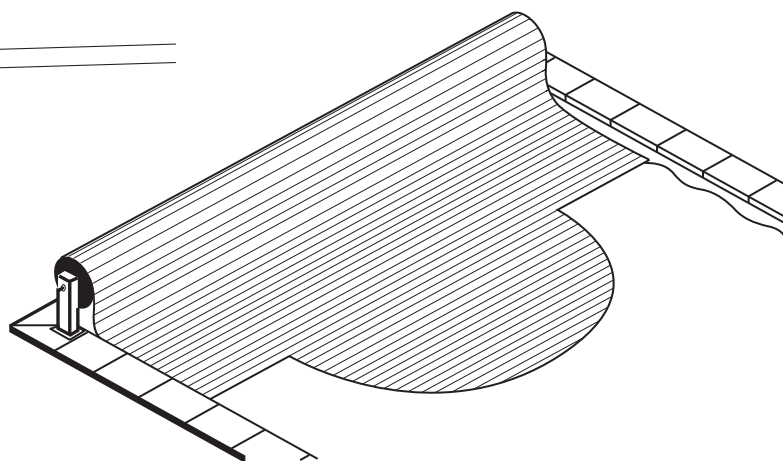
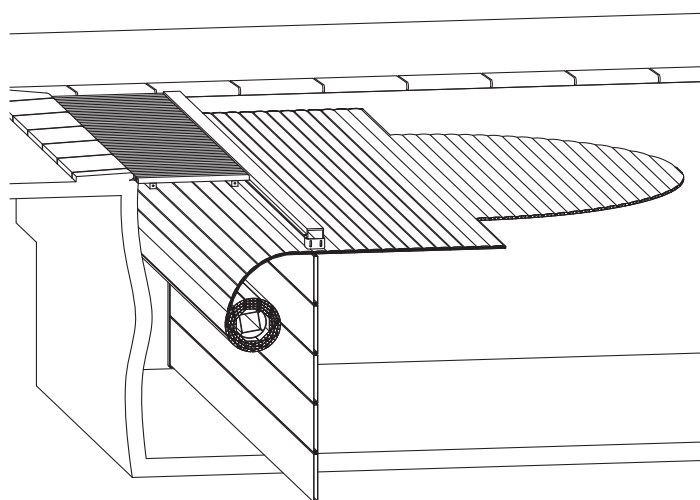
- The installer explains the operation of the ABRIBLUE cover to the end user and informs him/her of the safety, usage, maintenance and wintering advice.
- He gives him/her the cover manuals: "Installation instruction" and "Safety instructions and instructions for use of the automatic cover".
- He demonstrates the use of the cover and shows the functional limits of the cover.
- The installer and end user fill in and sign the warranty document attesting to the compliance of the installation, the reception of the documents for the cover and the information given to the end user.

**Product:** MANU  
**Company:** AS POOL  
**Address:** ZAC de la Rouvellière  
F-72700 SPAY- LE MANS  
**Tel:** +33 (0)811 901 331  
**Fax:** +33 (0)243 479 850  
contact@abriblue.com  
www.abriblue.com

# Covers

## Safety instructions and usage guide for the automatic cover

Please read carefully and keep available for later use  
Version 07/2011



# CONTENTS

- 1. Safety advice ..... 2
- 2. Advice for use ..... 3
- 3. Maintenance advice ..... 4
- 4. Appendix maintenance advice ..... 5
- 5. Maintenance advice wintering advice ..... 6
- 6. Guarantee ..... 6

## Compliance certificates



# 1. Safety advice

**WARNING:**  
The pool can be a serious hazard for your children. A drowning can happen quickly. Children close to a pool require your constant vigilance and an active surveillance, even if they can swim. The physical presence of an adult is essential when the pool is open.

### Learn first aid actions

Memorise the emergency service phone numbers and display them near the pool:

**Fire Brigade: 112**  
**AMBULANCE: 15**  
**Poison Centre: Write down the N°: .....**

- This cover is not a substitute for common sense or personal liability. Its aim is not to be a substitute for the vigilance of parents and/or responsible adults, which remains the essential factor in the protection of young children.
- Be aware that safety is only assured with a closed, locked cover which is correctly installed in compliance with the manufacturer's instructions.
- The cover must be systematically unrolled and locked during absences, however short, from the home.

- Check that there are no bathers or foreign bodies in the pool before activating the cover.
- Keep the tools needed to activate the covers out of the reach of children.
- Only a responsible adult should undertake to manoeuvre the cover.
- It is prohibited to climb onto, walk on or jump on a safety cover.
- Take all necessary measures to prevent access to the pool by young children, until the cover is repaired, or when a malfunction prevents the closure of the cover to secure the pool, or if the pool equipment is temporarily unavailable.
- Comply with the water levels defined by the manufacturer.

## 2. Advice for use

- Always check that the pool water level remains constant and in compliance with the manufacturer's recommendations (-12 cm as a standard) before using the cover in order to avoid jamming the blades in the trench (against the beam or the separating wall), or to avoid it rubbing against the pool rims, or to avoid the blades being warped by excess or insufficient water levels. Make sure that the overflow and the water level regulator are operational so that the skimmers do not suck in air if the water level is too low.
- Remove all floating objects that could hinder the correct operation of the ABRIBLUE cover during its closure, and lock the access to the pool using the blocking straps.
- Do not forget to unlock the safety mechanisms before opening the pool cover as failure to do so may damage the pool cover.
- Always keep the pool in full view during the opening and closure operations. It may be necessary to accompany the cover manually during rolling or unrolling operations in order to position correctly if there is a strong side wind, a free form pool, or a pool with a specific configuration.
- It is imperative not to halt the cover in an intermediate position, this can cause the risk of jamming a bather's body at the level of the cover casing, if a bather uses the pool. The person carrying out the manoeuvre must make sure there are no bathers in the pool before starting.
- Check that the hose or power supply cable of the pool cleaner does not get tangled in the cover; this could jam the operation of the roller and damage the PVC blades.
- Check that unrolling and rolling runs correctly on the first few metres (the blades roll effortlessly, there is not jamming on the axis with the top "bulging" towards outside of the roll), if necessary, stop the manoeuvre immediately in order to intervene on the cause of the malfunction.
- The rotation speed of the axis is not constant because of the rolling/unrolling of each new layer of blades which unbalances the roller. Adapt the wheel rotation speed on the manual model in order to avoid the harder spots by handling the wheel with both hands.
- It is imperative during rolling or unrolling operations, not to release the key until the end of run stops have been reached (especially on the BANCS) in order to correctly position the blades when rolling in is complete, or on the water when unrolling is complete.
- On the model without end of runs, make sure not to roll in the blades too much in order to prevent them from falling to the rear and breaking.
- Do not operate the cover more than 15 consecutive minutes.
- It is prohibited to manoeuvre the cover if there is a load on the duck board alley of an immersed cover, this might cause the cover to scrape the beam.
- Prohibit an overload on the duck board alley for an immersed cover due to the physical limits of the beam and the fixtures. The alley of duck boards is supported by the pool edge and the beam, it is designed to support a maximum load of 400 kg over its complete length (duck board included) and 150 kg per linear metre.
- Do not walk or jump on the covering of the BANC roller in order to avoid warping it.
- It is essential, for safety reasons, to remove the key from the control box or the wheel from the manual command once the opening or closure are complete.
- Programme the filtering system to start as soon as the "solar" blades are in sunlight. During very sunny periods with the cover closed, the water temperature can reach 30° or more and can damage the blades.
- It is strongly recommended not to empty the pool without the authorisation of your installer.
- If the cover is fitted with a WING System®, take care not to operate the cover without having folded the WING System® onto the cover. Operating the cover with the WING System® deployed can cause major damage to the cover and the pool.
- If the cover is fitted with a SURF System (mobile roller), make sure the roller is correctly positioned on the pool before any automatic manoeuvre of the blades.
- In the case of an emergency operation, a person walking on the cover will have his/her feet under the water.
- Limit operating the cover when the temperature is below 5°C and do not handle the cover below 0°C when it is locked in ice. Avoid all shocks and mechanical contacts on the blades when the temperature is below 0°C.
- When the installation is on a sheltered pool, make sure the maximum air temperature is not above 40°C. Make sure the surrounding air is ventilated in order to avoid all distortions and deteriorations of the parts (PVC blades, bench sides, duck boards...).

### 3. Maintenance advice

**The maintenance of the ABRIBLUE automatic cover is at the expense and under the responsibility of the user.**

- The use of an automatic cover maintains the quality of the water and reduces the amounts of treatment products needed.
- Maintain a good water balance in order to avoid damaging your automatic cover.

Water characteristics	Minimum recommended value	Maximum recommended value
pH	7,2	7,6
Chlorine	0.7 ppm	1.2 ppm
Bromine	1.5 ppm	2.5 ppm
TAC	80 ppm	120 ppm
TH	100 ppm	300 ppm
Stabiliser	10 ppm	40 ppm
Temperature	1°C	30°C

- Prolonged or repeated overdoses of products are damaging to the PVC blades. An acid pH below 7 can corrode metal parts. A lack of treatment causes the proliferation of algae and favours the putrefaction process which can cause the irreparable appearance of brown stains on the PVC blades.
- Check the operation of the chlorinator when the pool is closed for long periods. This type of device cannot be fitted with a stop in production and can cause irremediable damage to submerged mechanisms (corrosion) in the event of a high concentration of chlorinated products in contact with the PVC blades. To correct this situation, occasionally air the pool water by opening the cover taking care to guard the access to the pool while it is open.
- During a chlorine booster operation, roll the cover, start the filtering system and guard the access to the pool for children of less than 5 years old.
- Clean your cover at least twice a year using a high pressure cleaner or a sponge using a descaling product and/or a degreasing product (water line gel type). Do not use a solvent or abrasive product as these may deteriorate the PVC blades. Do not spray water onto the axis as this might deteriorate the motor.
- During the summer period, clean the blade storage trench once per month using a manual vacuum brush. Regularly remove any debris from the cover.
- Check the correct operation of the water level regulation (overflow not clogged, automatic filling correctly set)
- Make the that the zone where the cover motor is located is fitted with a drain preventing the motor from being immersed at all times (in case of flooding)
- Check that the blades are not subjected to temperature differences greater than 15° between the outside air and the water in order to avoid them from warping (case of a highly heated pool in a cold environment: in mountainous regions for example).
- When using a cover installation under a shelter, make sure the shelter is aired and limit its temperature to 40°C maximum and avoid the blades and bench sides from overheating
- Protect wood elements such as duck boards and bench sides. Wood, whatever its origins, is subjected to the aggression of the environment on a daily basis: walking, bad weather, dampness or dry weather. It therefore needs a minimum of maintenance. Prefer a wood saturator. For it to be efficient we recommend that you apply it using a brush until saturation in order to stabilise it and avoid tannins from being rejected. The coats must be applied when the previous coat is still damp, without any drying time between them (2 or 3 coats according to the porosity). Avoid wax or silicone based products, they are very quickly decomposed by UVs and washed away in bad weather. Depending on climatic conditions, exotic woods become silvery grey over time. Avoid varnishes, they form unstable films which are subject to flaking. We recommend the products Durieu DESKS OLJE D1 (mentioned in the "Techniques PISCINES" review) for the maintenance of exotic woods. If you have tannin stains on your pool rims or protective cover, we recommend the application of concentrated chlorine using a brush followed by copious rinsing.
- Do not cover the opaque blades with a hermetic tarpaulin, this would risk creating a major heating effect (glass house effect) which could cause the blades to warp permanently.
- Check the good condition, the tightness and the correct fixture of the safety loops.
- Check that the straps linking the blades to the axis are always tightly in place and evenly spread.
- Check the ends of the blades, check that they are aligned and that the caps and wings are not broken. A blade not aligned with the rest of the cover could jam when the cover is moving and cause major damage.



## 4. Appendix maintenance advice

**In the event of a malfunction or a repair preventing the closure and the securing of the pool, take all necessary measures to prevent the access to the pool of children of less than 5 years old.**

- AS POOL (ABRIBLUE) only distributes its technical products via a network of pool professionals which carries out the installation and follow-up depending on the specificities of the pool. AS POOL (ABRIBLUE) does not communicate directly with the pool owners. Have Servicing of the automatic cover carried out by a professional trained to this effect (we recommend your installer of whom the details are on the cover of this manual), they will be able to contact our technical assistance department. All spare parts must be original spare parts in order to maintain our guarantee and the cover's compliance with the standard.
- Carry out a complete revision of the cover once per year.
- Each time it is commissioned, the cover should be inspected to identify deteriorations that may compromise its correct operation. A professional will diagnose whether some blades need to be replaced.
- Check that the maintenance advice is applied and that the user carries out the checks regularly. Otherwise go over them item by item.
- Check that the coupling nuts are tightened, that the stop ring and all the screws are present on the axis.
- Check that the electric connections are tight and operate correctly. Make sure there is no humidity or oxidation on the cover's electric contacts (terminals in the box, box connections, contacts and key switch).
- Check the condition and the ageing of the locking mechanisms and the elastics used to maintain the PVC blades. Check that the straps are tight on the axis.
- Check the correct operation of the filtering system, the overflow and the water level regulator.
- Carry out several rolling and unrolling tests to make sure the cover is operational and especially to check that the end of run stops are correctly placed.
- When the system does not respond, your installer can secure the pool by uncoupling the cover roller and manually unrolling the cover onto the pool before locking the safety mechanisms on the pool cover. In this situation the pool cannot be used until the cover is repaired.
- Handling the uncoupling of the roller mechanism, to be read thoroughly before operation, with the installation instructions.

**1** power off the box.

**2** Block the rotation of the axis while keeping the blades rolled around it.

**3** For the OPEN, remove the cover on the motor side (remove the OPEN PVC cap, loosen the composite cover from the OPEN Solar). Disconnect wires 1, 2, 3, and 4 of the motor cable in order to slide it completely towards the axis and remove the unlocking ring.

**4** For the BANC, remove the top cover and unscrew the butterfly screw from the cover inside the BANC Solar. Disconnect wires 1, 2, 3, and 4 of the motor cable in order to slide it completely towards the axis and remove the unlocking ring.

**5** For the IMM'Box: remove the key between the shaft and the motor, or remove the motor.

**6** For the IMM'Ax: in the motor connection box located close to the pool, disconnect the end of run stop wires and the power wires from the motor cable in order to slide the motor cable completely towards the axis. Remove the pin blocker to access and lift the unlocking pin.

**7** Manually accompany the unrolling of the cover, making sure that the motor cable does not get entangled.

**8** Lock the safety mechanisms.

When commissioning the roller, a new adjustment of the motor end of run stops will be needed.

## 5. Maintenance advice

### wintering advice

**Wintering advice is described below, however, it is the installer's responsibility to recommend a solution depending on the availability of the customer and the geographical location of the pool.**

- Carry out active wintering by operating the circulation of the water and filtering during the coldest moments of the day (An anti-freeze thermostat can trigger filtering as soon as the air temperature falls below 0°).
- Keep the water level normal, excess water will drain from the overflow.
- Clean the blades unrolled on the pool water using a high pressure cleaner and then sweep the pool and the storage trench. Treat the water with wintering products.
- Keep your cover unrolled in the pool and, if the pool is surrounded by a lot of vegetation, fit a netting, permeable cover over it in order to avoid the decay of leaves and other vegetable debris on the PVC covers. Do not store the cover rolled with an accumulation of leaves or debris which would trigger an irremediable decaying process causing incrustated stains to form on the PVC blades. This physical phenomenon is not covered by the warranty for the blades.
- Protect the skimmers and piping exposed to freezing.
- Protect the motors from flooding.
- Cut the power supply to the electric box.
- Do not operate or touch the blades when they are ice bound. If there is a risk of the pool icing over, have the immersed axis and the roller motor removed.
- For models using solar power, the batteries can remain in place if the solar panel is not covered and continues its charging function. If the panel is covered and can no longer charge using sunlight, the batteries must be disconnected and stored in a dry place. When recommissioning, let the batteries charge (a half day of sunlight) before operating the cover.

## 6. Guarantee

Our one year guarantee only covers the replacement or the repair of a defective part as well as all defects or faults in the context of the installation, use, maintenance and wintering in compliance with our instructions.

It only comes into effect on the shipping date if the reseller or installer returns us the defective parts postage paid for analysis.

The guarantee covers all of the electrical equipment providing that the wiring was carried out in accordance with our instructions and in compliance with the standard C 15.100.

The guarantee does not cover the immersion of motors not designed for this purpose and the consequences of lightning caused by storms.

Apart from the general one-year guarantee, we grant the following guarantees:

- sending a guarantee form duly completed within 8 days of the cover's installation, gives the right to an extension of the geared motor guarantee from 1 to 3 years free of charge.
- the roller mechanism: 3 years (1)
- the PVC cover blades: 3 years (2)
- Solar panel: 10 years
- batteries: 1 year.

(1) The guarantee covers the resistance of the used materials except to corrosion and the deterioration of certain materials due to the use of an appliance producing and electro-chemical or electro-physical reaction, which generally accelerates the corrosion of metals.

(2) The guarantee covers the buoyancy, water tightness and articulation of the blades. The guarantee does not cover brownish stains and discolouration of the blades. Distortion of the blue translucent solar blades caused by use in disregard of our technical recommendations is also excluded. Damage caused by hail is excluded. All modifications to a blade voids the guarantee on the cover.

Are excluded all labour costs for removal, assembly, travel, water supply, products, damages and interests as well as any claims for compensation for any cause.

# Copy of the guarantee

The official guarantee is in the packing of your purchase with the installation documents.  
 This guarantee must be returned within eight days of the commissioning of the product. The guarantee is to be returned to the address below.

**It gives the right to an extension of the guarantee for the Abridblue cover motors to three years.**

## User details

Name: .....

Address: .....

Postcode/City [ ][ ][ ][ ][ ][ ] .....

## Installer details

Company: .....

Address: .....

Postcode/City [ ][ ][ ][ ][ ][ ] .....

Installed model			
Serial N° ____ / ____ / ____			
Cover type		Cover blade colour	
<input type="checkbox"/> MANU	<input type="checkbox"/> BANC SURF System	<input type="checkbox"/> White	<input type="checkbox"/> Blue translucent solar
<input type="checkbox"/> OPEN One	<input type="checkbox"/> BANC Solar Energy	<input type="checkbox"/> Sand	<input type="checkbox"/> Two-layer blue solar
<input type="checkbox"/> OPEN Classic	<input type="checkbox"/> VEESIO	<input type="checkbox"/> Blue	<input type="checkbox"/> Marbled Blue
<input type="checkbox"/> OPEN SURF System	<input type="checkbox"/> IMM'Ax	<input type="checkbox"/> Grey	
<input type="checkbox"/> OPEN Solar Energy	<input type="checkbox"/> IMM'Ax Solar Energy		
<input type="checkbox"/> BANC Classic	<input type="checkbox"/> IMM'Box		

## MANDATORY INFORMATION FOR THE VALIDATION OF THE GUARANTEE

### Checks carried out on commissioning by the installer

Checks carried out by : .....		
	Ok	Not Ok
Installer specially trained in installing: .....	<input type="checkbox"/>	<input type="checkbox"/>
Installation compliant with current standards according to the manufacturer's instructions: .....	<input type="checkbox"/>	<input type="checkbox"/>
Voltage 24 volts (cover): .....	<input type="checkbox"/>	<input type="checkbox"/>
Presence of an automatic water level regulator (cover): .....	<input type="checkbox"/>	<input type="checkbox"/>
Presence of an independent overflow: .....	<input type="checkbox"/>	<input type="checkbox"/>
Rolling operation (cover): .....	<input type="checkbox"/>	<input type="checkbox"/>
Unrolling operation (cover): .....	<input type="checkbox"/>	<input type="checkbox"/>
Locking of the pool cover (cover): .....	<input type="checkbox"/>	<input type="checkbox"/>
Installation without reserves: .....	<input type="checkbox"/>	<input type="checkbox"/>
Commissioning date: .....		
Recommendations on safety, use, maintenance and servicing explained and communicated to the user responsible for the cover: .....	<input type="checkbox"/>	<input type="checkbox"/>

Signature and stamp (mandatory)

(write the words "read and approved")

Comments / Observations .....

.....

.....

.....

postal address AS POOL  
 ZAC la Rouvellière - 72 700 Spay - FRANCE

Telephone +33 (0) 811 901 331  
 Fax +33 (0) 243 479 850

